

**Automatic Air Vent Valve****AW35/1****1/2" - 1" BSP or NPT****PN 16**

The Automatic Air Vent Valve is designed to release air-pockets out of the piping system. It should be installed at every high-point of the piping system where air can be trapped.

Technical Details**Maximum Working Pressure PFA:**

16 bar / PN16

Working temperature:

Maximum +90°C

Coating:

300 µm FBE coating, external and internal

Connection:

Female BSP or NPT threads

Installation:

Assembly the vertical position only

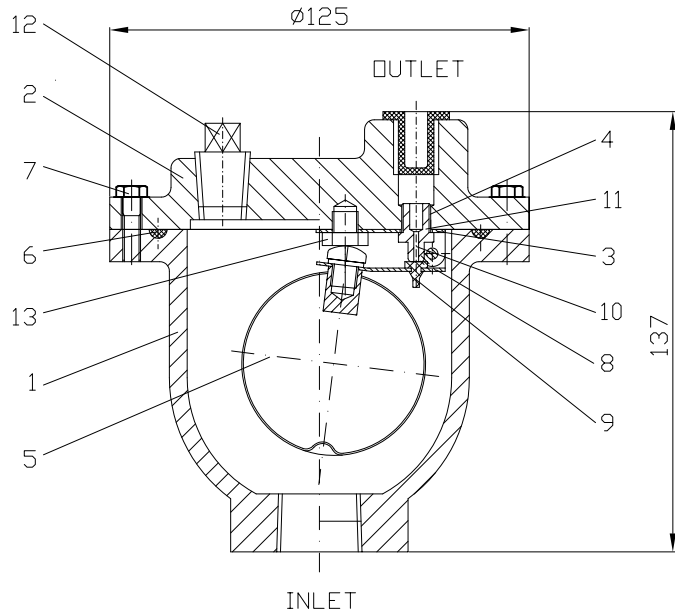
Application:

Installation for water, potable water, irrigation water and other chemically inert fluids

Design features

- Actuated only by the process fluid for fully automatic function
- No friction, ball mounted on lever arm: no risk of jamming
- Soft seated for perfect tightness at low pressure
- All moving parts in stainless steel for long corrosion and trouble free life.





No	Part Name	Material
1	Body	Ductile Iron EN-GJS-500-7
2	Bonnet	Ductile Iron EN-GJS-500-7
3	Lever Frame	Stainless Steel X5CrNiMo17-12-2 / 1.4401 / 316
4	Seat	Stainless Steel X5CrNiMo17-12-2 / 1.4401 / 316
5	Plate	Stainless Steel X5CrNiMo17-12-2 / 1.4401 / 316
6	Gasket	Elastomer EPDM
7	Bonnet Screws	Stainless Steel X5CrNiMo17-12-2 / 1.4401 / 316
8	Float Arm	Stainless Steel X5CrNiMo17-12-2 / 1.4401 / 316
9	Orifice Button	Elastomer Viton
10	Pivot Pin	Stainless Steel X5CrNiMo17-12-2 / 1.4401 / 316
11	Pin Retainer	Stainless Steel X5CrNiMo17-12-2 / 1.4401 / 316
12	Plug	H.T. dezincification resistant Brass
13	Locator	Stainless Steel X5CrNiMo17-12-2 / 1.4401 / 316

Dimension (mm & kg)

AW35/1	BSP / NPT	Inlet Size	Outlet	Orifice Size	Weight kg
1/2"	AE1027 / AE1028	1/2" BSP or NPT	1/2" BSP or NPT	1/16"	3
3/4"	AE1029 / AE1030	3/4" BSP or NPT	1/2" BSP or NPT	1/16"	3
1"	AE1031 / AE1032	1" BSP or NPT	1/2" BSP or NPT	1/16"	3